

4.2 cu. ft. Compact 24" Wide Heat Pump Dryer (Ventless)

- 4.2 cu. ft. Compact Capacity
- Dual Inverter HeatPump™ Technology
- Ventless Design
- Auto Cleaning Condenser
- 14 Cycles / 12 Options
- Sensor Dry System
- Wrinkle Care Option
- Delicate Cycle
- NeveRust™ Stainless Steel Drum
- LG ThinQ® Technology (Wi-Fi)



COLOR AVAILABILITY

- DLHC1455W (Electric) – White

CAPACITY & MATCHING WASHER

| | |
|--------------------|----------|
| Capacity (cu. ft.) | 4.2 |
| Matching Washer | WM1455HW |

APPEARANCE

| | |
|--------------------------------------|-----|
| Electronic Controls with LED Display | Yes |
| Touch Buttons | Yes |
| Dial-A-Cycle™ | Yes |

DRYER CYCLES

| | |
|-------------------|---------------------------------------------------------------------------------------------------------------|
| Number of Cycles | 14 |
| Sensor Dry Cycles | Normal, Heavy Duty, Bulky / Large, Small Load, Towels, Sportswear, Antibacterial, Delicates, Wool, Perm Press |
| Manual Dry Cycles | Rack Dry, Heated Dry, Air Dry, Downloaded |

DRYER OPTIONS

| | |
|-------------------|--------------------------------------------------------------------------------------------------------------------------------------------|
| Number of Options | 12 |
| Options | More Time, Less Time, Wrinkle Care, Control Lock, Wi-Fi, PGM Save, Custom PGM, Remote Start, Condenser Care, Drum Care, Drum Light, Signal |
| Drying Levels | Very Dry, Normal Dry, Damp Dry. Modes: Energy Saver, Normal |
| Manual Dry Times | More Time / Less Time |

FABRIC CARE

| | |
|------------------|-----|
| Steam Technology | No |
| Sensor Dry | Yes |

CONVENIENCE

| | |
|----------------------------------------------|-------------------|
| Drum Light | Yes |
| Control Lock | Yes |
| FlowSense™ Duct Clogging Indicator | No |
| End of Cycle Signal | Yes |
| Remaining Time Display / Status Indicator(s) | Yes |
| Reversible Door | Yes |
| Venting Option | Ventless Design |
| 3 Minute Installation Check | No |
| Leveling Legs | 4 Adjustable Legs |
| ADA Compliant | No |

SMART FEATURES

| | |
|-----------------------------------|--------------------------------|
| Wi-Fi Enabled | Yes |
| ThinQ® Technology | Yes |
| ThinQ Care | Yes |
| Voice Control | Google Assistant, Amazon Alexa |
| SmartDiagnosis™ | Yes |
| Remote Start (On / Off) | Yes |
| Remote Monitoring & Notifications | Yes |

MATERIALS AND FINISHES

| | |
|---------------|---------------------------|
| Drum Material | NeveRust™ Stainless Steel |
| Door / Rim | Glass / Chrome |
| Door Cover | Clear Round Cover |

TECHNICAL SPECS

| | |
|------------------------------|---------------------------|
| Electrical Requirements | 240V, 30 Amp |
| Power Outlet Location | Within 24" of Either Side |
| Plug Type | 4-Wire (Cord Required) |
| ENERGY STAR® Certified | Yes |
| Combined Energy Factor (CEF) | 6.4 |

INCLUDED ACCESSORIES

Stacking Kit, Drain Hose

DIMENSIONS

| | |
|-----------------------------------|-------------------------|
| Product (W x H x D) | 24" x 33 1/2" x 26 3/8" |
| Depth with Door Open | 45 1/4" |
| Cutout Dimensions (W x H x D) | 26" x 33 1/2" x 31 3/8" |
| Carton Dimensions (W x H x D) | 26" x 34" x 27 1/2" |
| Approx. Weight (Product / Carton) | 127.9 lbs. / 134.5 lbs. |

LIMITED WARRANTY

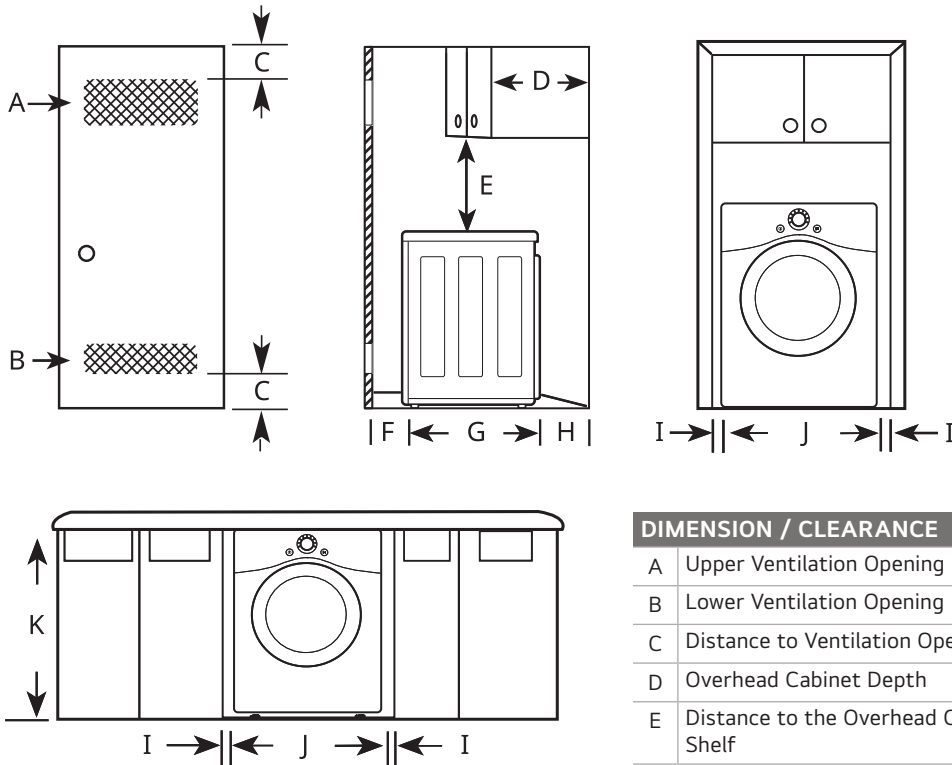
| | |
|-----------------|----------------------|
| Parts and Labor | 1 Year |
| Dryer Drum | 3 Years (Parts Only) |

DIMENSIONS / CLEARANCES

SPACING FOR RECESSED AREA OR CLOSET INSTALLATION

These clearances are recommended for this dryer.

- Additional clearance should be considered for ease of installation and servicing.
- Additional clearances should be considered on all sides of the dryer to reduce noise transfer.



DIMENSION / CLEARANCE

| | | |
|---|------------------------------------------|-------------------------------------|
| A | Upper Ventilation Opening | ≥ 48 sq. in. (310 cm ²) |
| B | Lower Ventilation Opening | ≥ 24 sq. in. (155 cm ²) |
| C | Distance to Ventilation Opening | ≥ 3" (76 mm) |
| D | Overhead Cabinet Depth | ≤ 14" (356 mm) |
| E | Distance to the Overhead Cabinet / Shelf | ≥ 18" (457 mm) |
| F | Front Clearance | 1" (25 mm) |
| G | Depth | 26 3/8" (670 mm) |
| H | Back Clearance | ≥ 5" (127 mm) |
| I | Side Clearance | 1" (25 mm) |
| J | Width | 24" (600 mm) |
| K | Height of Cabinet Opening | 33 1/2" (850 mm) |

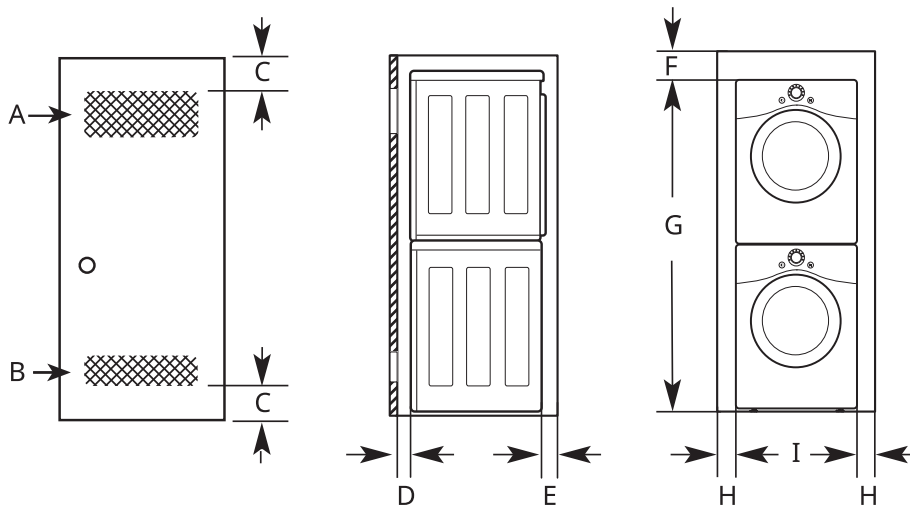
DIMENSIONS / CLEARANCES**CLOSET VENTILATION REQUIREMENTS**

Closets with doors must have both an upper and lower vent to prevent heat and moisture buildup in the closet. One upper vent opening with a minimum opening of 48 sq. in. (310 cm²) must be installed no lower than 6 feet above the floor. One lower vent opening with a minimum opening of 24 sq. in. (155 cm²) must be installed no more than one foot above the floor. Install vent grills in the door or cut down the door at the top and bottom to form openings. Louvered doors with equivalent ventilation openings are also acceptable.

INSTALLATION SPACING FOR RECESSED AREA OR CLOSET, WITH STACKED WASHER AND DRYER

These clearances are recommended for this dryer.

- There should be at least a little space around the dryer (or any other appliance) to eliminate the transfer of vibration from one appliance to another. If there is enough vibration, it could cause appliances to make noise or come into contact, causing paint damage and further increasing noise.
- No other fuel-burning appliance can be installed in the same closet as a dryer.

**DIMENSION / CLEARANCE**

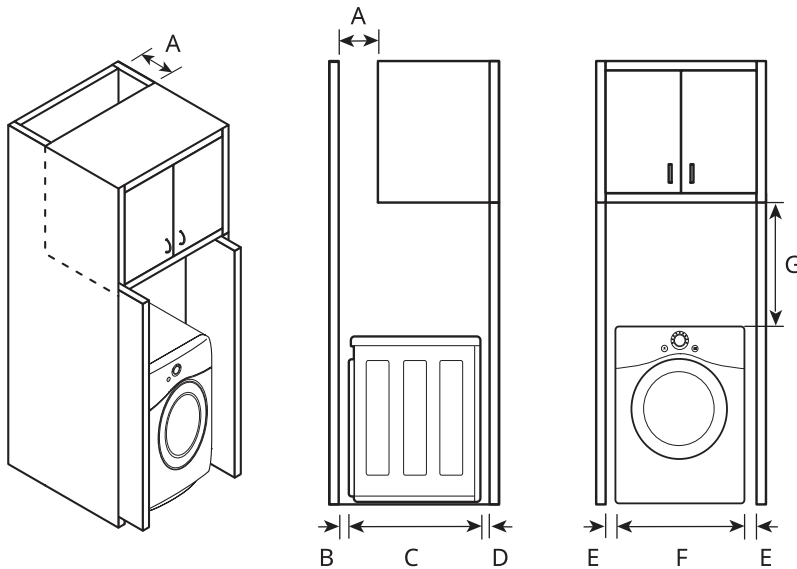
| DIMENSION / CLEARANCE | | |
|-----------------------|------------------------------------------|-------------------------------------|
| A | Upper Ventilation Opening | ≥ 48 sq. in. (310 cm ²) |
| B | Lower Ventilation Opening | ≥ 24 sq. in. (155 cm ²) |
| C | Distance to Ventilation Opening | ≥ 3" (76 mm) |
| D | Front Clearance | ≥ 1" (25 mm) |
| E | Back Clearance | ≥ 5 1/2" (140 mm) |
| F | Top Clearance to the Ceiling | ≥ 6" (152 mm) |
| G | Height to the Top of Stacked Appliances† | 67" (1700 mm) |
| H | Side Clearance | 1" (25 mm) |
| I | Width† | 24" (600 mm) |

† Differs depending on the washer dimensions.

DIMENSIONS / CLEARANCES

INSTALLATION SPACING FOR CABINET AND CLEARANCES WITH OPTIONAL PEDESTAL BASE

For cabinet installation with a door, minimum ventilation openings in the top of the cabinet are required.



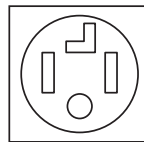
DIMENSION / CLEARANCE

| | | |
|---|------------------------------|-------------------------------------------|
| A | Depth of Ventilation Opening | ≥ 7" (178 mm) |
| B | Back Clearance | ≥ 5" (127 mm) |
| C | Depth | 26 ³ / ₈ " (670 mm) |
| D | Front Clearance | ≥ 1" (25 mm) |
| E | Side Clearance | ≥ 1" (25 mm) |
| F | Width | 24" (600 mm) |
| G | Clearance to Top of Cabinet | ≥ 9" (229 mm) |

CONNECTING ELECTRIC DRYERS

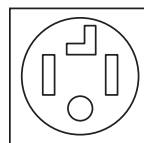
Electrical Requirements for Electric Models Only

- This dryer must be connected to a grounded metal, permanent wiring system, or an equipment-grounding conductor must be run with the circuit conductors and connected to the equipment-grounding terminal or lead on the dryer.
- The dryer has its own terminal block that must be connected to a separate 240 VAC, 60-Hertz, single-phase circuit, fused at 30 amperes (the circuit must be fused on both sides of the line). ELECTRICAL SERVICE FOR THE DRYER SHOULD BE OF THE MAXIMUM RATE VOLTAGE LISTED ON THE NAMEPLATE.. DO NOT CONNECT THE DRYER TO 110-, 115-, OR 120-VOLT CIRCUIT.
- If the branch circuit to dryer is 15 ft. (4.5 m) or less in length, use UL (Underwriters Laboratories) listed No.-10 AWG wire (copper wire only), or as required by local codes. If over 15 ft. (4.5 m), use UL-listed No.-8 AWG wire (copper wire only), or as required by local codes. Allow sufficient slack in wiring so the dryer can be moved from its normal location when necessary.
- The power cord (pigtail) connection between the wall receptacle and the dryer terminal block IS NOT supplied with the dryer. Type of pigtail and gauge of wire must conform to local codes



FOUR-WIRE POWER CORD

- A 4-wire connection is required for all mobile and manufactured home installations, as well as all new construction after January 1, 1996.
- A UL-listed strain relief is required.
- Use a 30-amp, 240-volt, 4-wire, UL-listed power cord with #10 AWG-minimum copper conductor and closed loop or forked terminals with upturned ends.



FOUR-WIRE DIRECT WIRE

- A 4-wire connection is required for all mobile and manufactured home installations, as well as all new construction after January 1, 1996.
- A UL-listed strain relief is required.
- Use UL-listed 4-wire #10 AWG minimum copper conductor cable. Allow at least 5 ft. (1.5 m) of wire to allow for removal and reinstallation of the dryer.